

CPS LED LIGHTING

- Applications:
- Gas stations
 - Service stations
 - Underground parking lots
 - Garage



100W Canopy Light

The Canopy Light series combines aesthetic with durability to create a premium lighting experience, all without sacrificing brightness or reliability

With a sturdy aluminum frame incorporated into a recessed design, this fixture blends well into a large variety of environments.

ORDER INFORMATION					
SERIES	WATTAGE (W)	VOLTAGE UL = 100-277V	HOUSING COLOR W=White	MOUNT (SM=Surface, TM=Thread)	KELVIN 50=5000K
CPS-CL-RM-	100W-	UL-	W	SM-	40
				TM-	50
EXAMPLE: CPS-CL-RM-100W-UL-W-SM-50					
DLC Model# CPS-CL-RM-100W-UL-W-SM-50					

SPECIFICATIONS
<ul style="list-style-type: none"> UL, CUL Certificate IP65 Internal Driver, Input Voltage 100-277 VAC No UV or IR in the beam Easy to install and operate Long lifespan Instant start, no flickering, no humming Green and eco-friendly, without mercury



CPS LED LIGHTING
 843-407-6803
 SALES@CPSLED.COM
 WWW.CPSLED.COM

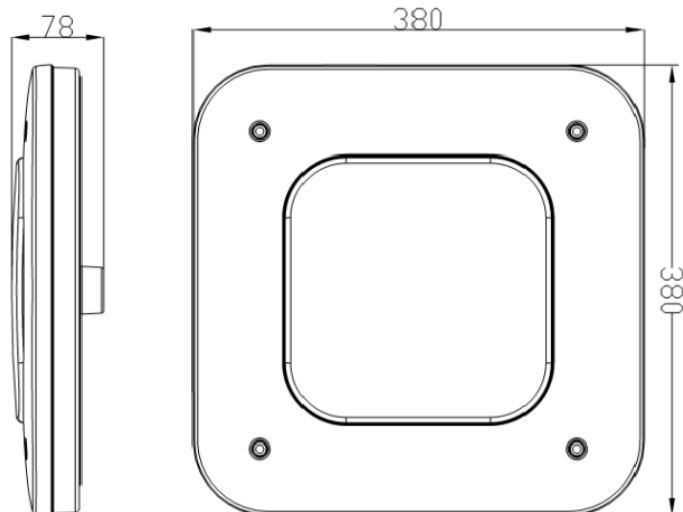
CPS LED LIGHTING

TECHNICAL CHARACTERISTICS

Color temperature	4000K, 5000K
Input voltage	100-277 V 50/60Hz
Lumens	10000-11000 LM
Lumen efficiency	110 LM/W
Waterproof rating	IP65
CRI	>80
PFC	>0.9
Viewing angle	110°
Operating temperature	~68°F to 113°F
Operating humidity	20%-90% RH
Storage temperature	~86°F to 176°F
Storage humidity	10%-95%
Application	Indoor/Outdoor
Product Dimensions (Inches)	14.96*14.96*3.07
L70 Life	Projected 100,000 hours
Warranty	7 years

MATERIALS

Housing	Aluminum
Housing color	White

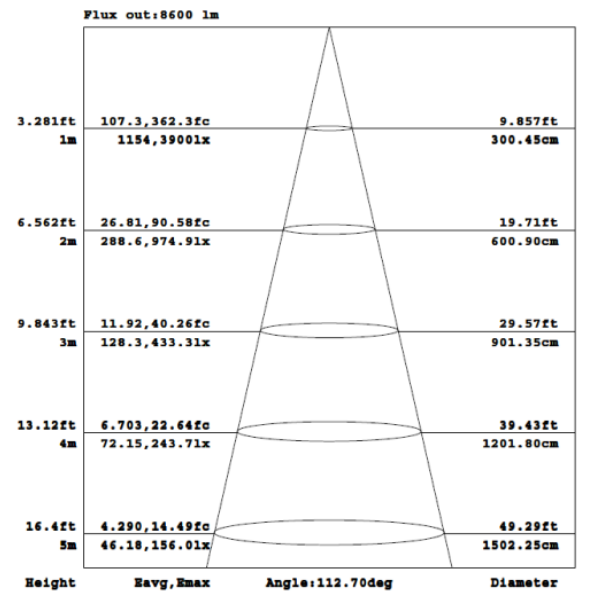
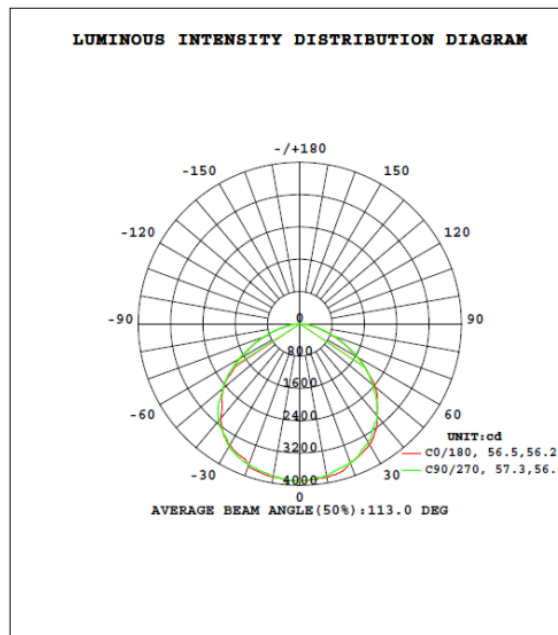


CPS LED LIGHTING
843-407-6803
SALES@CPSLED.COM
WWW.CPSLED.COM

CPS LED LIGHTING

Photometric:

DATA OF LAMP		PHOTOMETRIC DATA Eff: 111.38 lm/W			
MODEL		I _{max} (cd)	3897	S/MH (C0/180)	1.33
NOMINAL POWER (W)	100	LOR (%)	100.0	S/MH (C90/270)	1.32
RATED VOLTAGE (V)	120	TOTAL FLUX (lm)	11194	η UP, DN (C0-180)	0.1, 49.2
NOMINAL FLUX (lm)	11194.1	CIE CLASS	DIRECT	η UP, DN (C180-360)	0.1, 50.6
LAMPS INSIDE	1	η up (%)	0.2	CIBSE SHR NOM	1.50
TEST VOLTAGE (V)	120.0	η down (%)	99.8	CIBSE SHR MAX	1.50



CPS LED LIGHTING

843-407-6803

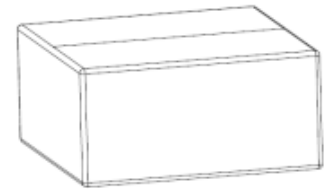
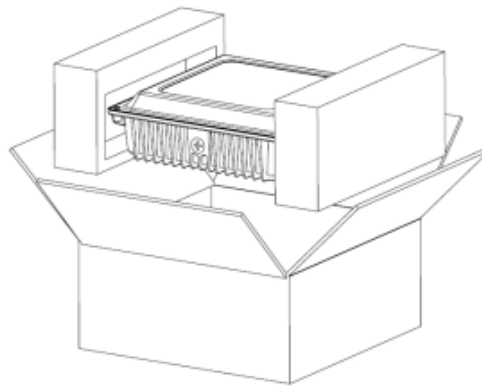
SALES@CPSLED.COM

WWW.CPSLED.COM

CPS LED LIGHTING

PACKAGING INFORMATION

MODEL	WATTAGE	PRODUCT DIMENSIONS (Inches)		QTY/CTN	N.W (lbs)
CPS-CL-RM-	100W	Outer Box	16.73*16.53*4.72	1	14.8



CPS LED LIGHTING
843-407-6803
SALES@CPSLED.COM
WWW.CPSLED.COM

NOTICE FOR USER

Please turn off power before installing or changing assembly parts.
The input voltage and lamps should be matched, after connecting the power line.
Please make sure the wiring section is insulated.